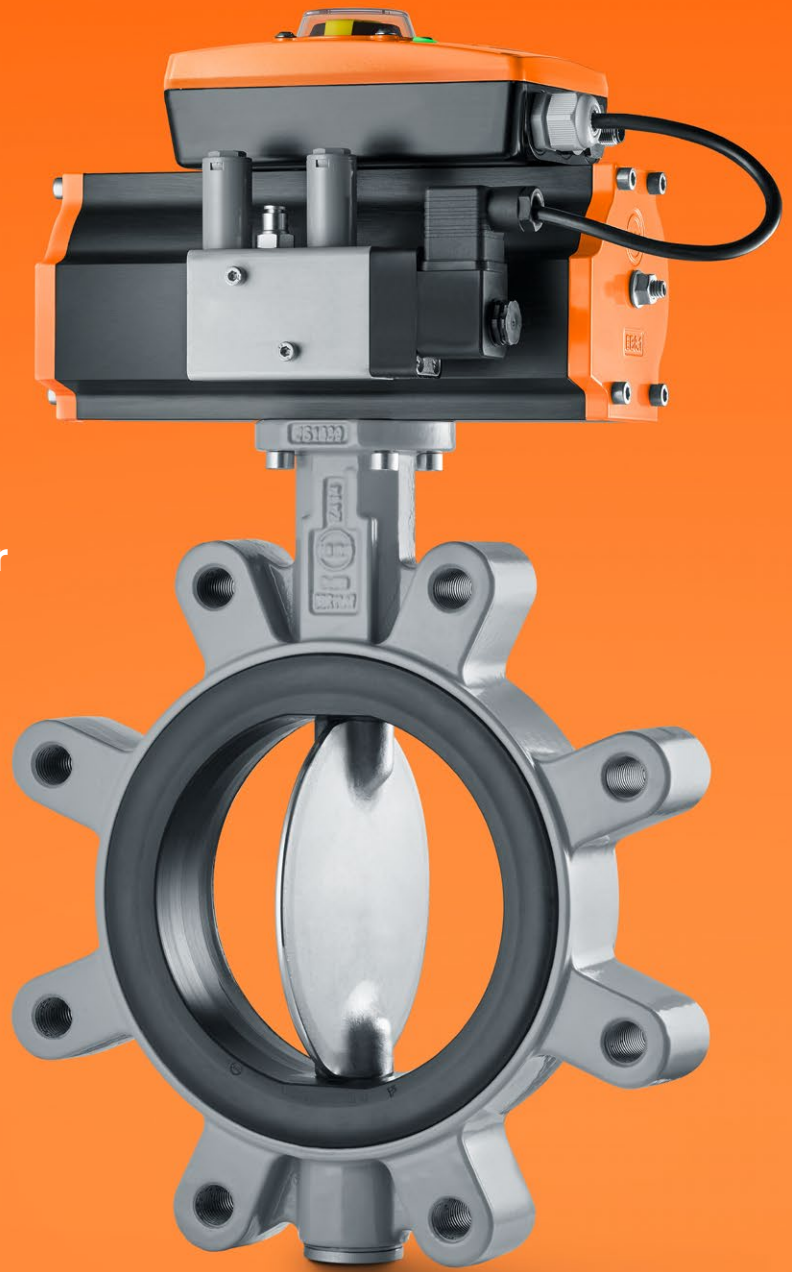


THIS ONE IS A PERFECT FIT!



EBRO Z400 butterfly
valves specially designed for
PE/PP piping

READY TO GO. READY TO USE.

Series EBRO Z400 for PE/PP piping



Z414-A Water

Z414-A Gas

Z414-A with electric actuator E65

THE PERFECT FIT. ANY WHICH WAY.



Z411-A



Z411-A Gas

Z411-A Water

Regardless of whether it is a wafer or lug type valve, the unique benefits of this series can also be experienced with both versions.

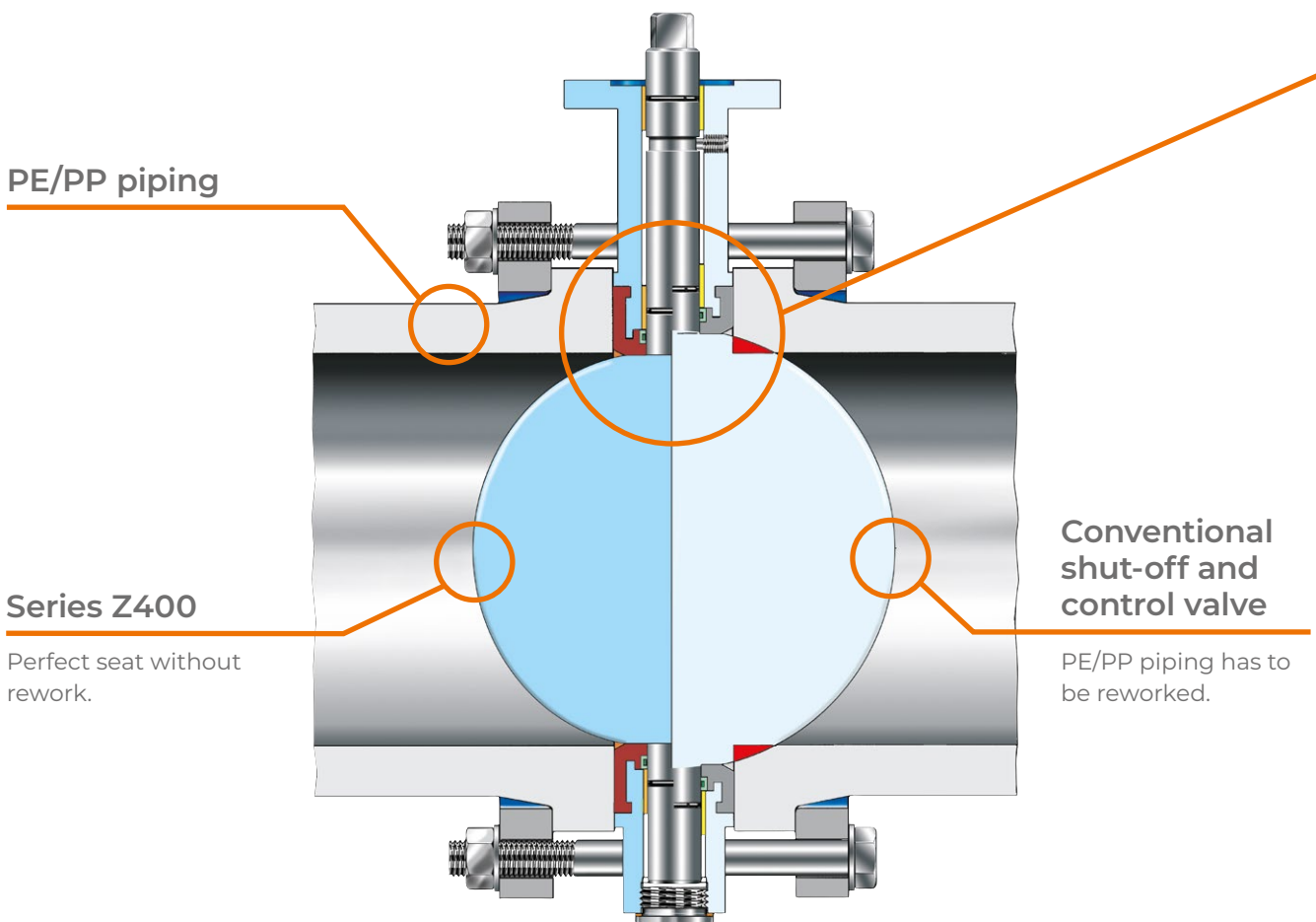
Pipe systems made from PE and PP plastics are being used in more and more areas. The many different fitting options in the Z400 series mean you can be sure of a perfectly coordinated solution, whatever your installation requirements. The Z411-A wafer type valve is also available with DVGW certification for use in pipe systems for water and gas supply. Our specialists will be happy to help you choose the right EBRO Z400 shut-off and control valve.

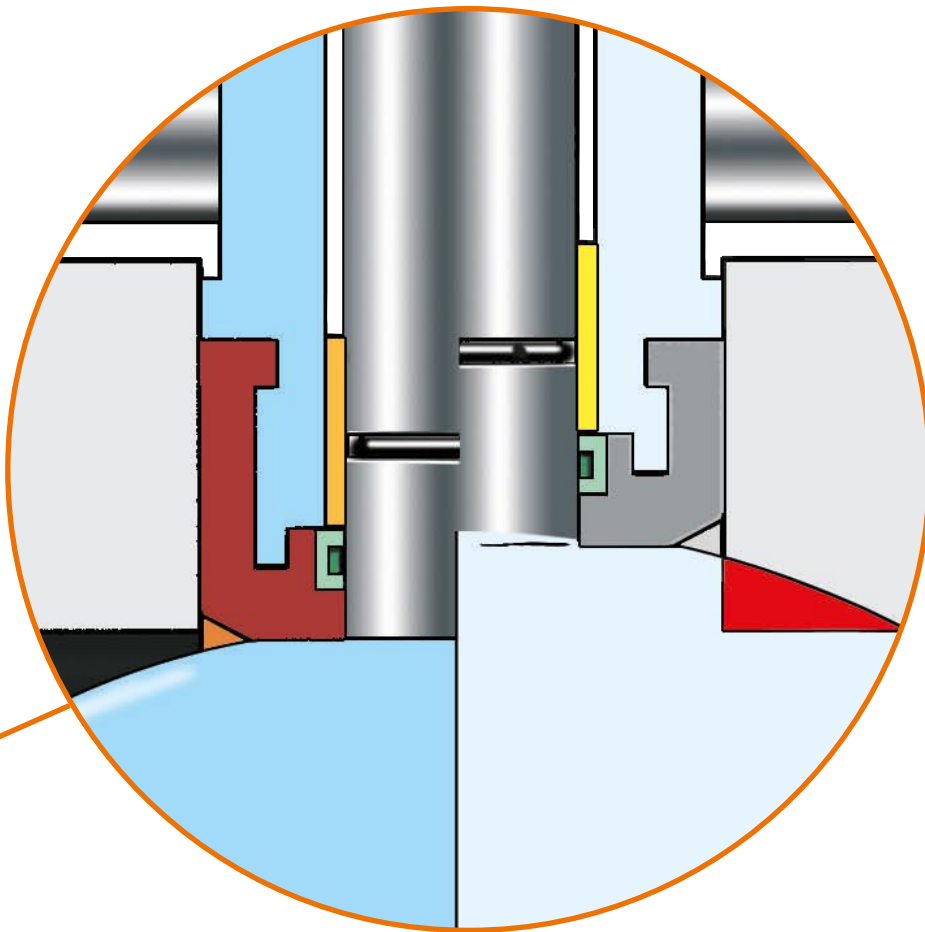
PRECISION. PERFECTED.

- No need to bore or chamfer the stub flanges. This maximises the stability of the flanged joint and fittings.
- Energy-efficient and hygienic due to flow-optimised valve disc and virtually dead-space-free transitions.
- Sealing surfaces of stub flange and valve are precisely matched to one another and provide an optimal flanged joint.
- No spacer rings or flange seals are required. That provides the basis for a sturdy, pressure-surge-resistant, vacuum-proof and flow-optimised design.



Rating plate bearing the following data: SDR – OD – DN – PN. For unambiguous identification based on hydraulic requirements in order to ensure seamless correlation of pipe dimension and valve in planning, assembly, service and maintenance.





Series EBRO Z400 for PE/PP piping

- Quick installation without machining the stub flange
- Maximum stability and optimal sealing surface area
- Perfect flow and maximum hygiene
- Available in all sizes from OD 50 to OD 630

SAFE. FAST. TIGHTER.

Series EBRO Z400 – the only butterfly valves within the market specially developed for use in PE/PP piping.

Piping made of **PE/PP** is being used instead of plain steel and stainless steel pipes in more and more fields of application. However, conventional-type concentric butterfly valves are not designed for plastic piping.

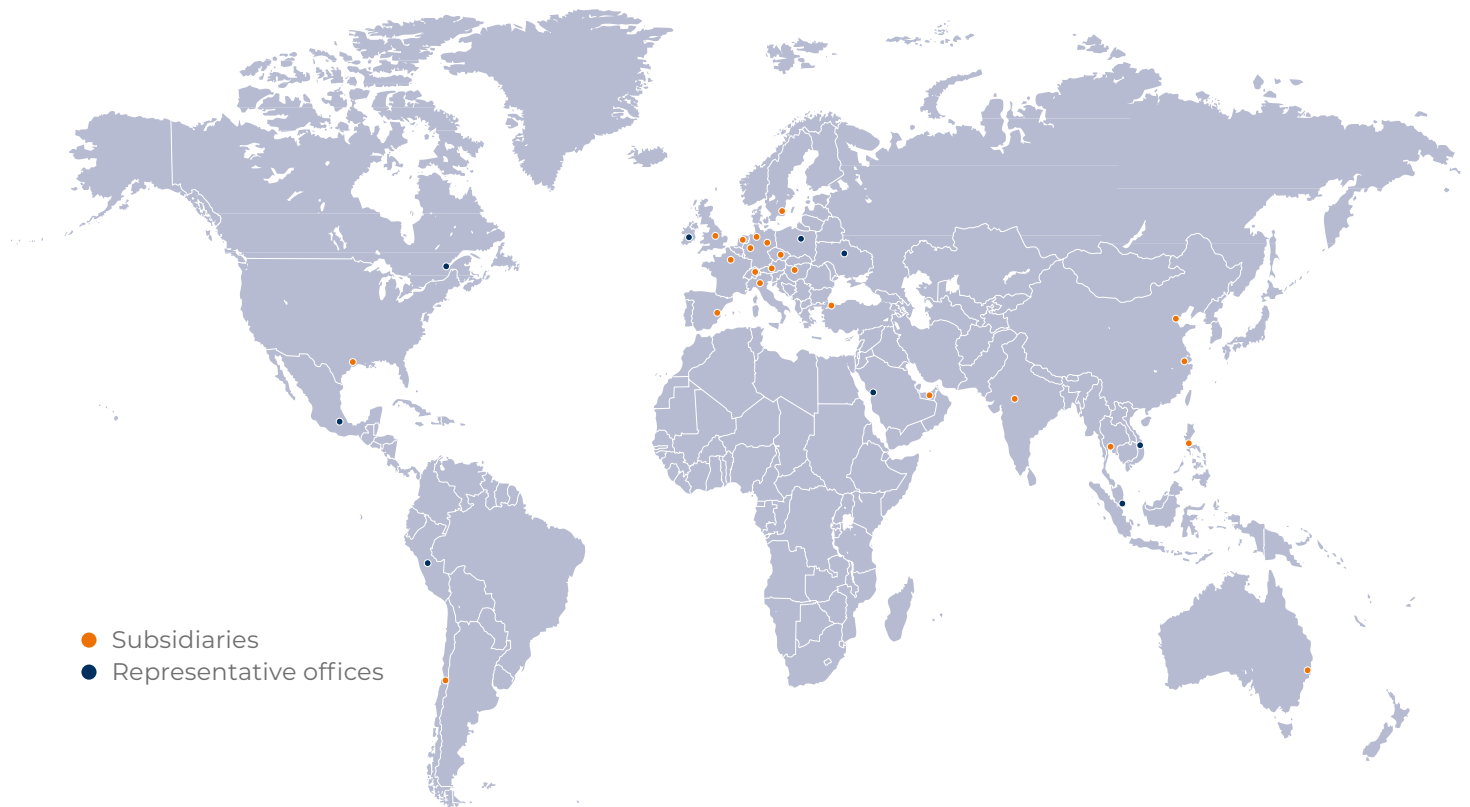
The consequences are labour-intensive rework on the stub flange, additional planning and assembly effort, a much smaller sealing surface area, much lower stability, larger dead spaces and greater susceptibility to corrosion.

In developing the new Series Z400, EBRO has created shut-off and control valves that are perfectly adapted to the dimensions of plastic pipes. Compared to conventional valves made of plastic or metal they provide maximum safety and cost-effectiveness – from installation to operation and maintenance.

Thanks to the wide range of high quality sealing materials special designs – such as DVGW certified versions for the use in pipe systems for water or gas supply – are available. They can be delivered without restriction in all sizes from OD 50 to OD 630.

THE WORLD OF EBRO ARMATUREN.

Our international network



Since the company was founded in 1972, EBRO ARMATUREN has been developing, producing and selling shut-off and control valves as well as automation technology for industrial applications. More than 1,000 employees at two domestic and 30+ international subsidiaries ensure that EBRO products are available in over 100 countries worldwide. Within the global network, production takes place at the headquarters in Germany and in Italy, Sweden, China and Thailand with uniformly high manufacturing and quality standards.

In 2005, the Swedish manufacturer Stafsjö Valves AB was acquired and the product range was extended by an extensive portfolio of knife gate valves.

EBRO ARMATUREN Gebr. Bröer GmbH

Karlstraße 8
58135 Hagen | Germany

Phone: +49 2331 904-0
post@ebro-armaturen.com

More information on
the EBRO Z400 series

